

2026 NEC Second Draft Report Template
FOR DIRECTED VOTE BY IEEE-IAS/PES JTCC* Representatives
*** Joint Technical Coordinating Committee**

Note: Only Second Revisions (FR) are balloted

CMP-15.

Articles 517,518,520,522,525,530,540

(Matt Dozier, Principal, - Alternate Mike Anthony)

1) Noteworthy Panel Actions

- a) Re: Art 517. Representatives from NFPA99 are moving to alter the concept of normal power and on-site essential system power for a hospital by allowing the essential system of a hospital to be supplied by a myriad of alternate sources on the emergency side of the transfer switches including utility supplied power. This has been an effort for multiple cycles.

Attached is the resulting diagram proposed in Second Revision No.8398.

Also attached for reference are the original section diagrams.

2) Statements Opposing Second Revisions (if none, delete below and insert None)

- a) Second Revision No. 8398-NFPA 70-2023 [Section No. 517.31(A)]
IEEE-IAS/PES JTCC statement opposing the Second Revision: SR8398

The proposed changed diagram presents too much confusion and is devoid of adequate detail to properly correspond to the code text. It introduces concepts for power sources in a manner that confuses the required practice of a "Normal" power source for a facility and the on-site backup "Essential" (emergency) power source.

This effort to move away from a primary operating utility source and allowing the alternate sources to be required to operate in conjunction with the utility to adequately carry the load is ill founded and mistaken.

3) Motion (select one of the below and delete the other two)

Motion to support all Second Revisions except the following with the above statement opposing the Second Revision

- a. SR 8398; Article 517.31A Requirements for the Essential Electrical System.

4) Direction to IEEE-IAS/PES JTCC Representative (Secretary will select during the meeting)

IEEE-IAS/PES JTCC Representative is directed to support all Second Revisions

IEEE-IAS/PES JTCC Representative is directed to support all Second Revisions and include the statements provided above for (list SRs or the following SRs)

IEEE-IAS/PES JTCC Representative is directed to support all Second Revisions with the exception of (list SRs or the following SRs) with the negative statements provided above

517.31 Requirements for the Essential Electrical System.

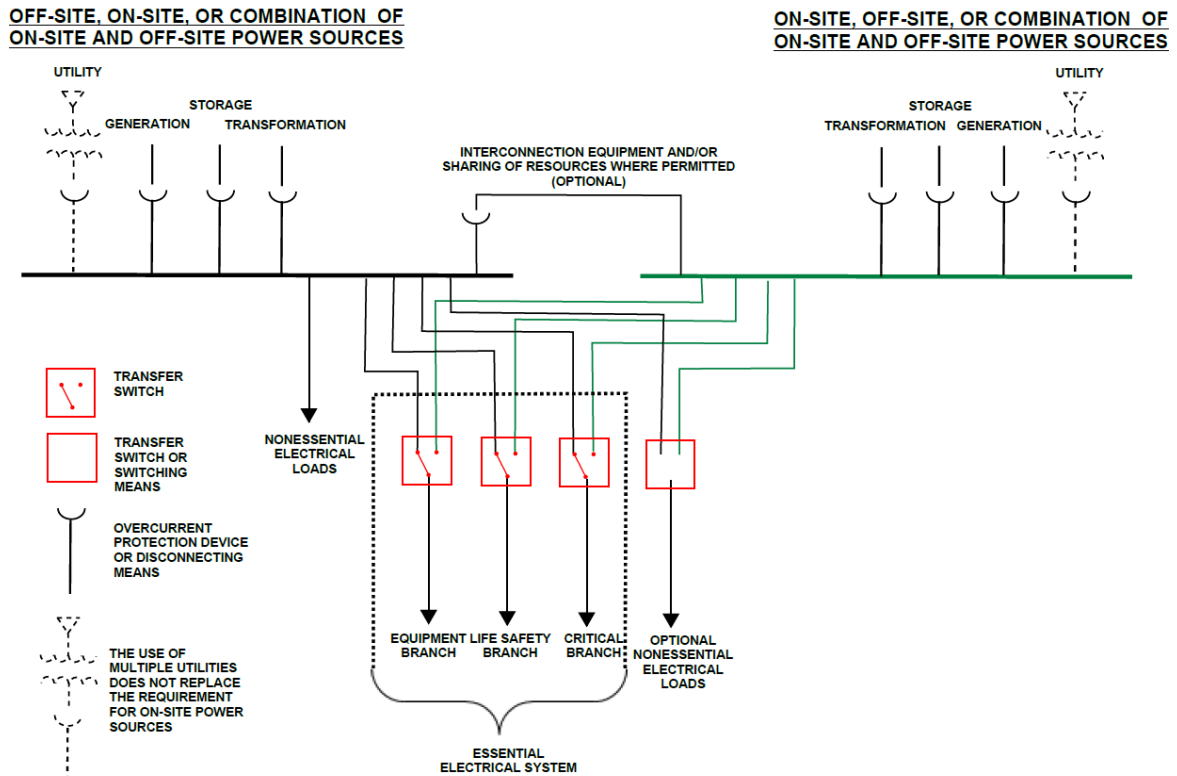
(A) Separate Branches.

Type 1 EESs shall be comprised of three separate branches — life safety, critical, and equipment — capable of supplying a limited amount of lighting and power service that is considered essential for life safety and effective hospital operation.

The division between the branches shall occur at transfer switches where more than one transfer switch is required. [99:6.7.2.2.1]

Informational Note 1: See Figure Informational Note 517.31(A).

Figure Informational Note 517.31(A) On-Site, Off-Site, or Combination of On-Site and Off-Site Source Configuration.



Transfer switches shall comply with one of the following:

- (1) The number of transfer switches to be used shall be based on ~~reliability and design~~, design, and load considerations. Each branch of the essential electrical system shall have one or more transfer switches.
- (2) One transfer switch shall be permitted to serve one or more branches in a facility with a continuous essential electrical system load ~~on the switch~~ of 150 kVA (120 kW) or less. [99.6.7.2.2.3, 6.7.2.2.3.1]

Informational Note No. 1: See NFPA 99-2024, Health Care Facilities Code, 6.7.3.1, 6.7.2.2.5, 6.7.2.2.5.15, and 6.7.2.2.7, for more information on transfer switches.

Informational Note No. 2: See Figure Informational Note 517.31(B)(1).

Informational Note No. 3: See Figure Informational Note 517.31(B)(2).

Figure Informational Note 517.31(B)(1) Type 1 EES — Minimum Requirement (Greater Than 150 kVA) for Transfer Switch Arrangement.

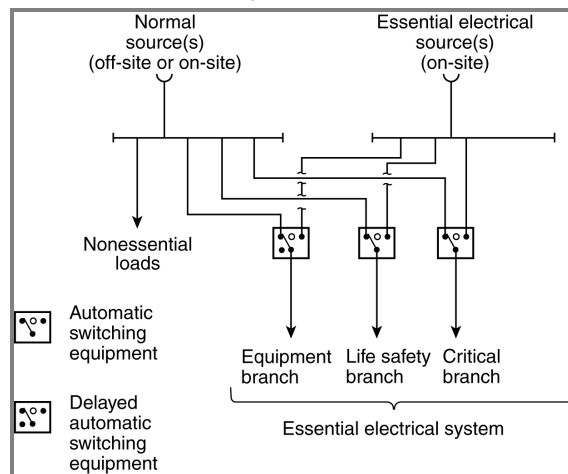
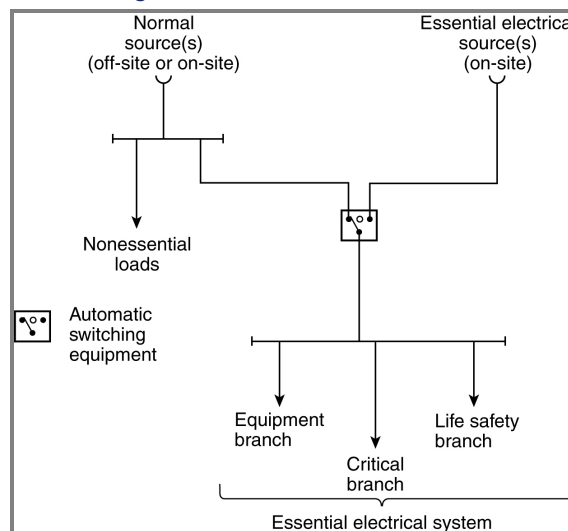


Figure Informational Note 517.31(B)(2) Type 1 EES — Minimum Requirement (150 kVA or Less) for Transfer Switch Arrangement.



Submittal Reference

Committee: NEC-P15

Submittal Date: Thu Oct 24 16:40:23 EDT 2024